

United Steel Products

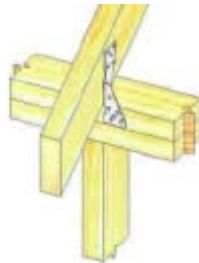
Hangers & Connectors

[USP Website](http://www.uspconnectors.com)

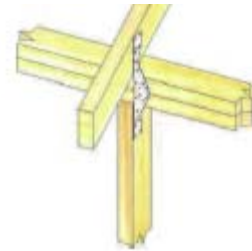
Hurricane Ties	
Code	Description
RT3-TZ	4-1/4" Hurricane Tie (Single Plate Connection) Triple Zinc for ACQ
RT7-TZ	5-1/4" Hurricane Tie (Double Plate Connection) Triple Zinc for ACQ
RT10	10-3/4" Hurricane Tie (Truss/Rafter to Plate to Stud Connection)
RT16	6-1/4" Hurricane Tie (Truss/Rafter to Double Plate Connection)
RT16-TZ	6-1/4" Hurricane Tie (Truss/Rafter to Double Plate Connection) Triple Zinc



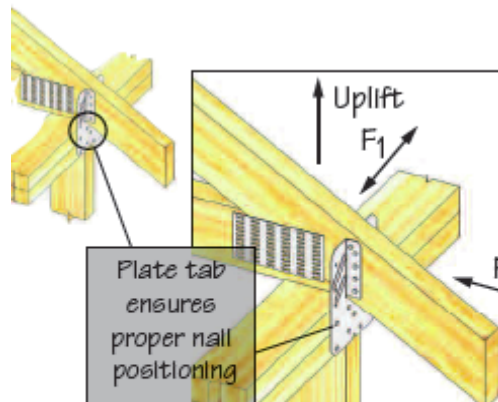
Typical *RT3*
truss/rafter
to plate installation



Typical *RT7*
truss/rafter
to double
plate installation



Typical *RT10*
truss/rafter
to double plate to
stud installation



Typical *RT16*
truss/rafter to double
plate installation

Go to www.uspconnectors.com for more information.