

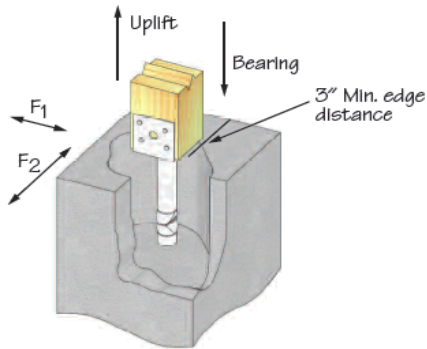
# United Steel Products

## Hangers & Connectors

[USP Website](http://www.uspconnectors.com)

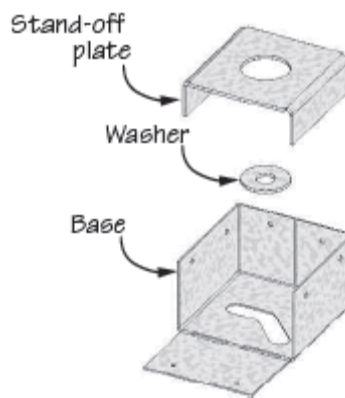
Post Bases	
Code	Description
EPB6608	Elevated Post Base for 6x6
PA44-TZ	Surface Mount Post Base for S4S 4x4 (Triple Zinc for ACQ)
PA44R	Surface Mount Post Base for Rough 4x4
PA46R	Surface Mount Post Base for Rough 4x6
PA88R	Surface Mount Post Base for Rough 8x8
KCB44-HDG	Wet Mount Post Base for S4S 4x4 (Hot Dipped Galvanized)
CPB66	Composite Post Base for S4S 6x6
D44-TZ	Light Duty Wood to Wood Post Base for S4S 4x4

**EPB Style**

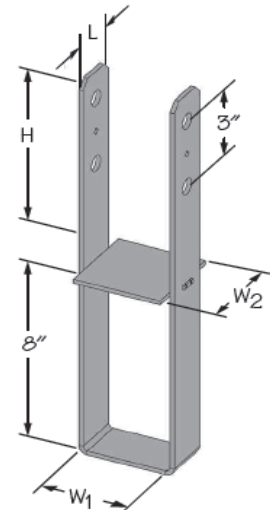


Typical EPB installation

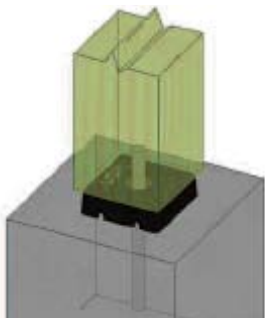
**PA Style**



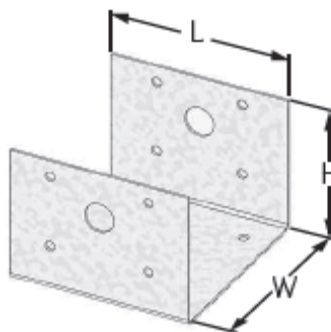
**KCB Style**



**CPB Style**



**D Style**



Go to [www.uspconnectors.com](http://www.uspconnectors.com) for more information.